

Jatco/Nissan

JF015E* (REOF11A)

* These parts also fit Mitsubishi F1CJB.

sonnax®

2 Imtec Lane • Bellows Falls, VT 05101-0440 USA
(800) 843-2600 • (802) 463-9722 • F: (802) 463-4059 • www.sonnax.com

Click on Sonnax part numbers to see more information.

1 113741-11K Lockup Control Plunger Valve Kit

Helps cure:

- Jerking on coastdown
- High engine RPM
- Engine stall on engagement • No lockup

2 33741F-09K Oversized Lockup Control & Plunger Valve Kit

Helps cure:

- Jerking on coastdown
- Harsh engagement
- High engine RPM • No lockup

Note: Requires tool kit F-33741F-TL9 & the VB-FIX reaming fixture.

3 33741F-03K Oversized Solenoid Regulator Valve Kit

Helps cure:

- Chatter on acceleration
- Noise on acceleration
- Push belt slippage • Low line rise

Note: Requires tool kit F-33741F-TL3 & the VB-FIX reaming fixture.

4 33741F-07K Torque Converter Lube Regulator Plunger Valve Kit

Helps cure:

- Engine stall on engagement
- Increased RPM during acceleration
- No lockup • Overheated fluid

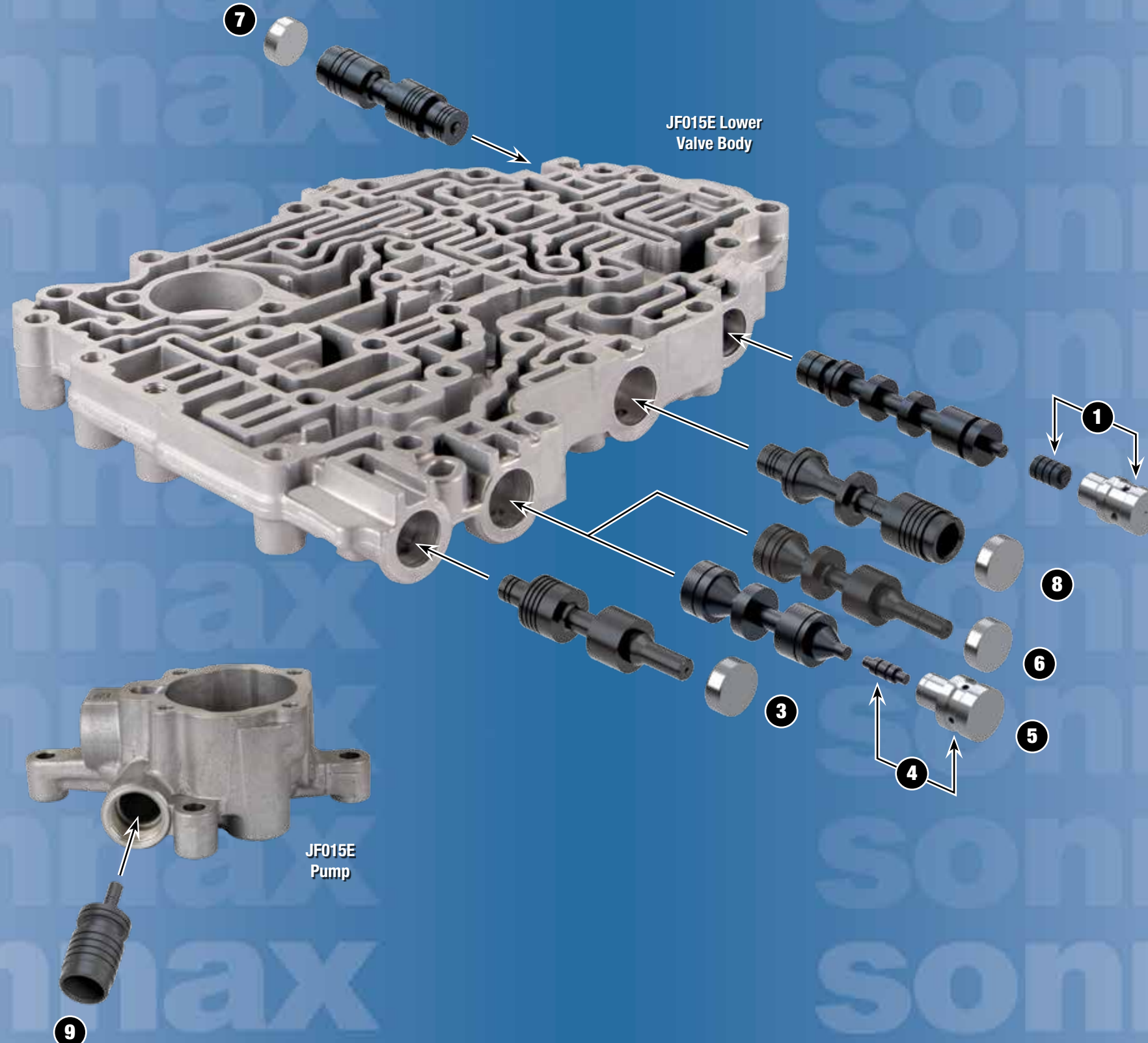
5 33741F-05K Oversized Torque Converter Lube Regulator & Plunger Valve Kit

For valve assemblies with plunger valve & sleeve

Helps cure:

- Engine stall on engagement
- Increased RPM during acceleration
- No lockup • Overheated fluid

Note: Requires tool kit F-33741F-TL4 & the VB-FIX reaming fixture.



6 33741F-04K Oversized Torque Converter Lube Regulator Valve Kit

Helps cure:

- For valve assemblies without plunger valve & sleeve
- Engine stall on engagement
- Increased RPM during acceleration
- No lockup • Overheated fluid

Note: Requires tool kit F-33741F-TL4 & the VB-FIX reaming fixture.

7 33741F-02K Oversized Primary Pulley Regulator Valve Kit

Helps cure:

- Chatter on acceleration
- Damaged valve body casting
- High/Low line pressure

Note: Requires tool kit F-33741F-TL2 & the VB-FIX reaming fixture.

8 33741F-01K Oversized Secondary Pulley/Pressure Regulator Valve Kit

Helps cure:

- Push belt slippage
- Pulley breakage
- RPM surge • Chatter on acceleration

Note: Requires tool kit F-33741F-TL & the VB-FIX reaming fixture.

9 33510N-02 Pump Flow Control Valve

9 33510N-01 Oversized Pump Flow Control Valve

Helps cure:

- Push belt slippage
- Delayed engagement
- Low pump volume

Note: 33510N-01 Requires tool kit F-33510N-TL & the VB-FIX reaming fixture.