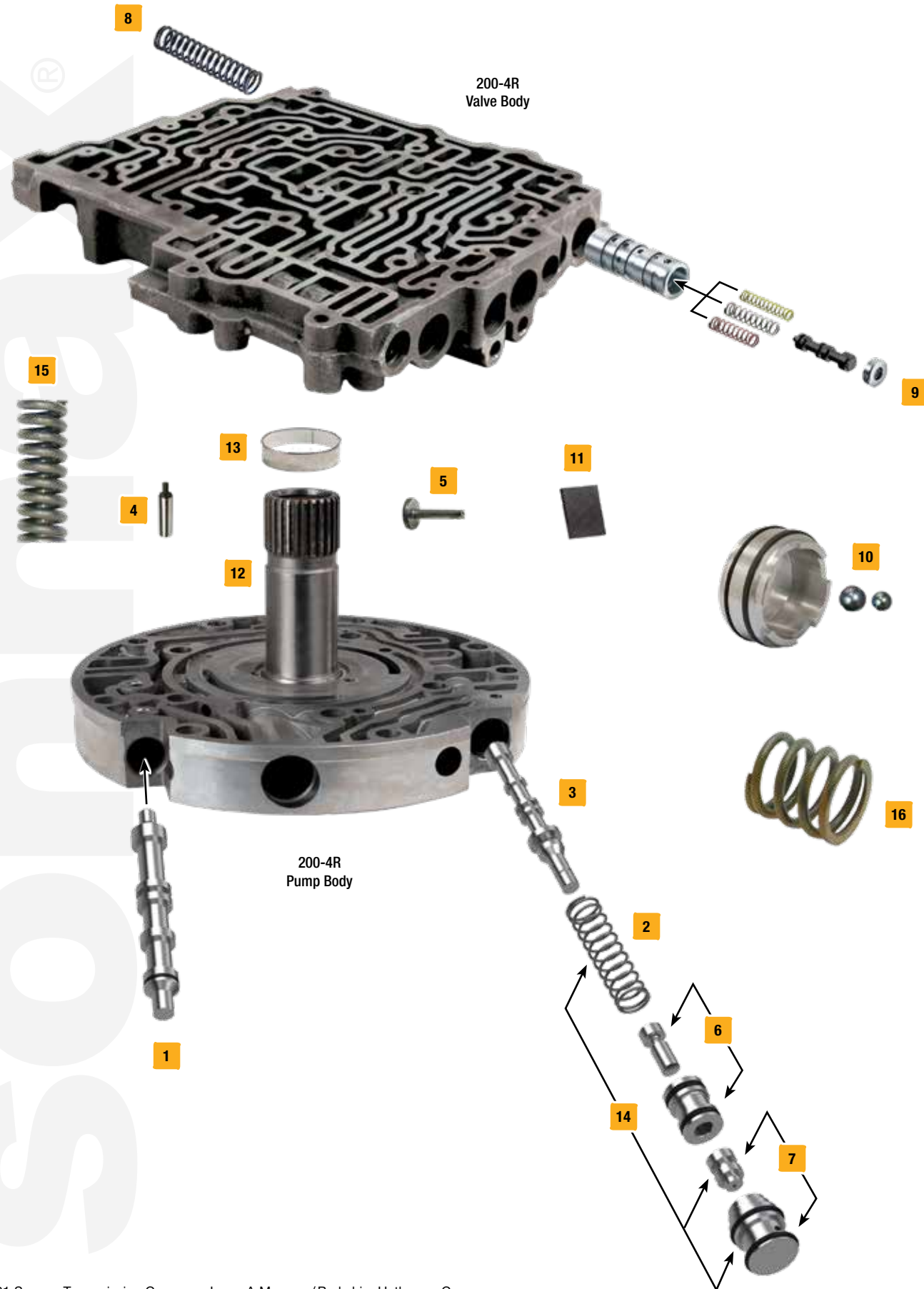


Click on part numbers for product details or visit [www.sonnax.com](http://www.sonnax.com) to see all products for the unit(s) shown here.



Symptoms/Part Type	Product Name	Part No.	Details	Tooling
<b>TCC/Lockup Symptoms</b>				
No lockup, Falls out of lockup when hot, Fluid blown out fill tube, 1-2, 2-3, 4-5 Flares	TCC Apply Valve Kit	1 77805-K	ZIP Fits non-PWM units only	
<b>Pressure Problems</b>				
Low base line pressure	Elevated Pressure Main Pressure Regulator Spring	2 77917-08		
Erratic line pressure, Low line rise, Clutch slippage, Excess pump noise, 3-4 Clutch failure	Oversized Pressure Regulator Valve	3 77917-06		77917-TL, 77917-TLC
	Pump Slide Pivot Pin	4 65797	5/Bag	
Pin bore wear, Erratic line pressure	Pump Spring Spacer	5 77917-RV	10/Bag	
Low Reverse boost, Delayed Reverse, Low line pressure, Poor upshift in manual low	Reverse Boost Valve Kit	6 K77898	ZIP Large ratio, O-ring style	
	Reverse Boost Valve Kit	6 K77898A	ZIP Large ratio, factory style	
Soft slide shifts, 3-4 Clutch burned, Reduced band life	TV Boost Valve Kit	7 77917-01K	ZIP .423" Bore dia., O-ring style	
	TV Boost Valve Kit	7 77917-02K	ZIP .423" Bore dia., factory style	
	TV Boost Valve Kit	7 77917-471	ZIP .471" Bore dia., O-ring style	
	TV Boost Valve Kit	7 77917-03K	ZIP .471" Bore dia., factory style	
<b>Shift/Engagement Concerns</b>				
1-2 Bang at light throttle, Reduced 2-4 band life	Accumulator Valve Train Kit	9 77777L-K	ZIP Fits "L" version valve train in light/medium vehicles, .330" dia.	
	Accumulator Valve Train Kit	9 77777M-K	ZIP Fits "M" version valve train in heavy vehicles, .341"	
Poor shift quality, Burnt clutches & bands	Pinless Accumulator Piston Kit	10 77998-03K	Use in 3-4 location only	
<b>Component Damage/Failure</b>				
Lost or damaged component	Pump Vane	11 1280	Koyo®, 100/bag	
	Stator Support Shaft	12 65917S	27 External splines, heat treated	
<b>High Performance/Heavy Duty Upgrades</b>				
Upgraded bushing material for long-lasting protection against wear	Bushing	13 77005T	Precision, PTFE-lined	
Classic, large-ratio boost valve for crisp, clean shifts without harshness	Line Pressure Booster Kit	14 700R4-LB1	Includes larger ratio boost valve and stronger PR spring	
Maintains high pump volume position at high RPM	Pump Slide Spring	15 77722-01K	Replaces 2 OE springs, 5/bag	
Highest boost ratio, Maximum line rise	TV Boost Valve Kit	7 77917-500	.500" Bore dia., O-ring style	
Highest boost ratio, Maximum line rise	TV Boost Valve Kit	7 77917-04K	.500" Bore dia., factory style	
Firmer 1-2 shifts	Enhanced Performance Accumulator Spring	16 77704S	Heavy-duty alternative for 1-2 accumulator, 5/Bag	