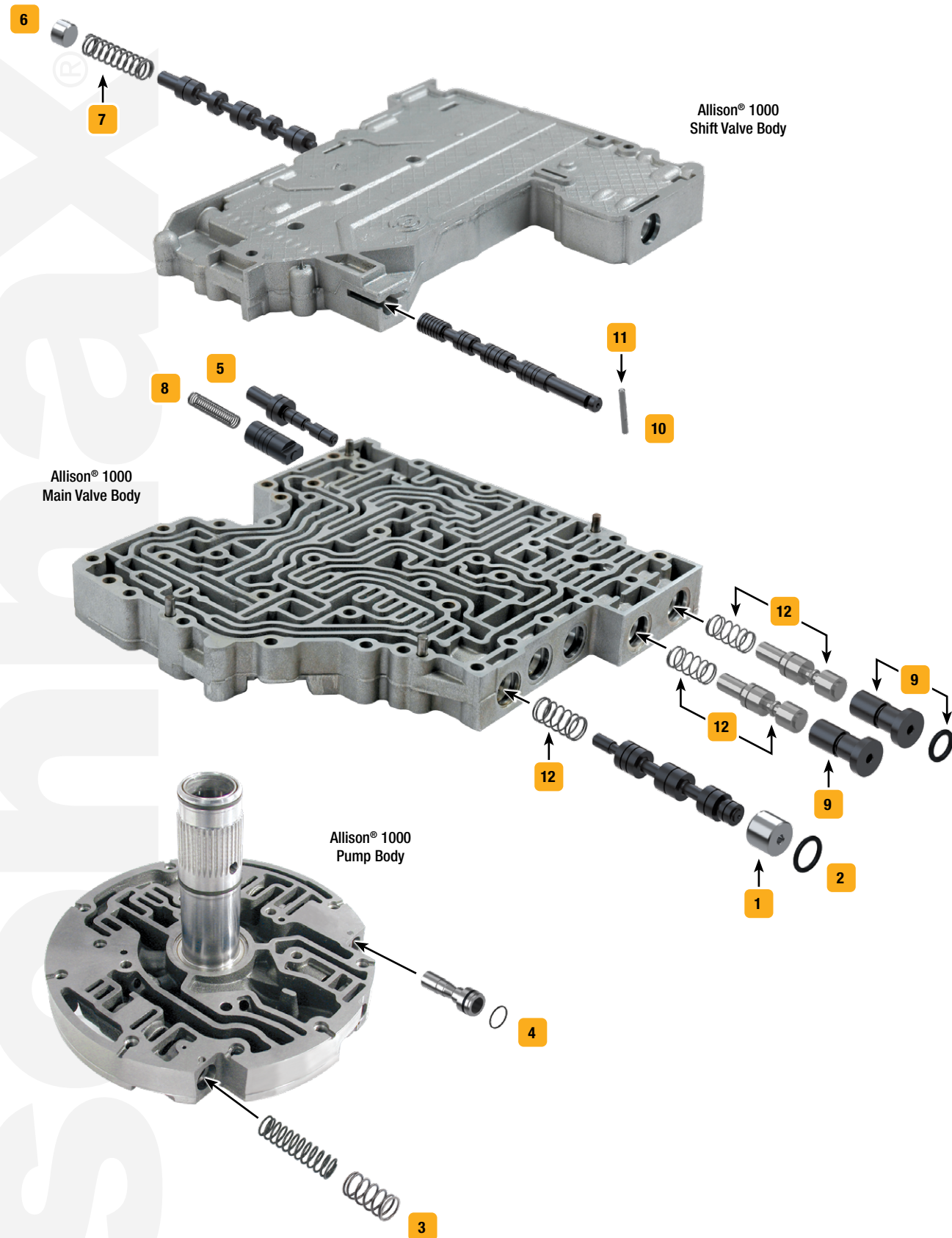


Click on part numbers for product details or visit www.sonnax.com to see all products for the unit(s) shown here.



Symptoms/Part Type	Product Name	Part No.	Details	ZIP Drop-In Zip Valve™ Parts	Tooling
TCC/Lockup Symptoms					
Overheating, Code P0741, TCC surge	F-Trim Valve End Sleeve	1 37000-03	ZIP '00-'05		
Overheated transmission, Code P0741, RPM surge, TCC apply & release concerns	Oversized F-Trim Valve Kit	2 37000-30K	'00-'05		F-37000-TL30*
Overheating, Broken spring, Delayed engagement	Lube Regulator & Converter Relief Spring Kit	3 37000-01K	'03-Earlier, 6-solenoid units		
Shift/Engagement Concerns					
C1 Clutch hub wear, Lack of C1 clutch control, Harsh Forward, Delayed bump on Forward	C-1 Valve & Seal Kit	4 37000-05K	ZIP February '04-earlier		
Shift concerns, Loss of shift solenoid control pressure	Oversized Control Main Relief Valve	5 37000-19	'00-'15		F-37000-TL19*
Code P0872, Code P1711, Failsafe mode, Pressure switch stuck on, 3rd Gear starts	Oversized E-Shift Valve Kit	6 37000-15K	'00-'09		F-37000-TL15*
	E-Shift Valve Spring	7 37000-02	'00-'09		37000-02BST †
Flare shifts, Long shifts, Delayed shifts	Exhaust Backfill Valve Kit	8 37000-17K	ZIP '00-'15		
Shift concerns associated with circuit pressure loss	Oversized Gain Valve Kit	9 37000-24K	'00-'09		F-37000-TL24*
Low line pressure, Delayed Drive, Delayed Reverse	Oversized Manual Valve Kit	10 37000-28K	'00-'15		F-37000-TL28*
Delayed Drive, Low line pressure, 1-2, 2-3, 4-5 Flares	Manual Valve Selector Pin	11 37000-29K	'00-'15, 5/bag		
Premature clutch wear, Inability to alter clutch apply pressure curve	Trim Valve & Spring Kit	12 37000-12K	'00-'09, F-trim spring fits '00-'05 only		37000-TL12
Tools					
	Vacuum Test Plate Kit	37000-VTP	'00-'15		VACTEST-01K

* VB-FIX Required

† Recommended Tool