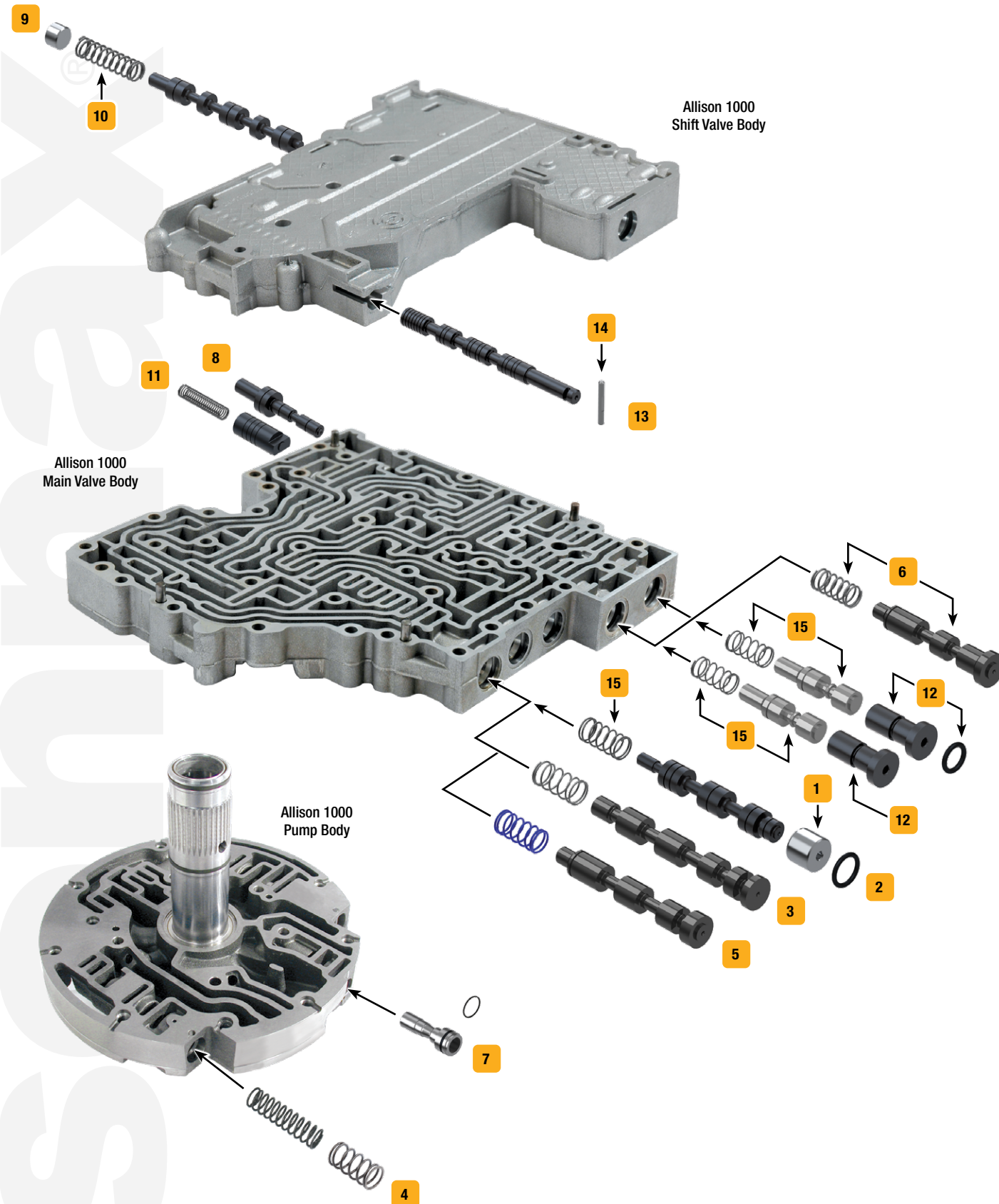


Click on part numbers for product details or visit www.sonnax.com to see all products for the unit(s) shown here.



Symptoms/Benefits	Product Name	Part No.	Details	Tooling
TCC/Lockup Symptoms				
Overheating, Code P0741, TCC surge	F-Trim Valve End Sleeve	1 37000-03	ZIP '00-'05	
Overheated transmission, Code P0741, RPM surge, TCC apply & release concerns	Oversized F-Trim Valve Kit	2 37000-30K	'00-'05	F-37000-TL30*‡
No converter apply, TCC surge, TCC slip, Overheating	Oversized F-Trim Valve Kit	3 37000-33K	'06-'09	F-37000-TL33*
Overheating, Broken spring, Delayed engagement	Lube Regulator & Converter Relief Spring Kit	4 37000-01K	'03-Earlier, 6-solenoid units	
No lockup, Converter shudder & TCC slip, TCC shudder	Oversized TCC Control Valve Kit	5 37000-37K	'10-Later	F-37000-TL37*
Pressure Problems				
Flare shifts, Harsh shifts, Premature clutch failure, Delayed engagement	Oversized PCV Valve Kit	6 37000-35K	'10-Later	F-37000-TL35*
Shift/Engagement Concerns				
C1 Clutch hub wear, Lack of C1 clutch control, Harsh Forward, Delayed bump on Forward	C-1 Valve & Seal Kit	7 37000-05K	ZIP February '04-earlier	
Shift concerns, Loss of shift solenoid control pressure	Oversized Control Main Relief Valve	8 37000-19	'00-Later	F-37000-TL19*
Code P0872, Code P1711, Pressure switch stuck on, Failsafe mode, 3rd Gear starts	Oversized E-Shift Valve Kit	9 37000-15K	'00-'09	F-37000-TL15*
	E-Shift Valve Spring	10 37000-02	'00-'09	37000-02BST †
Flare shifts, Long shifts, Delayed shifts	Exhaust Backfill Valve Kit	11 37000-17K	ZIP '00-Later	
Shift concerns associated with circuit pressure loss	Oversized Gain Valve Kit	12 37000-24K	'00-'09	F-37000-TL24*
Low line pressure, Delayed Drive, Delayed Reverse	Oversized Manual Valve Kit	13 37000-28K	'00-Later	F-37000-TL28*‡
Delayed Drive, Low line pressure, 1-2, 2-3, 4-5 Flares	Manual Valve Selector Pin	14 37000-29K	'00-Later, 5/bag	
Premature clutch wear, Inability to alter clutch apply pressure curve	Trim Valve & Spring Kit	15 37000-12K	'00-'09, F-trim spring '00-'05 only	37000-TL12
Tools				
	Vacuum Test Plate Kit	37000-VTP	'00-Later	VACTEST-01K

* VB-FIX Required

† Recommended Tool

‡ No longer in production. Check with your distributor for availability.