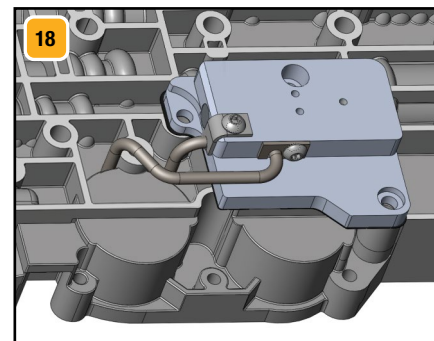
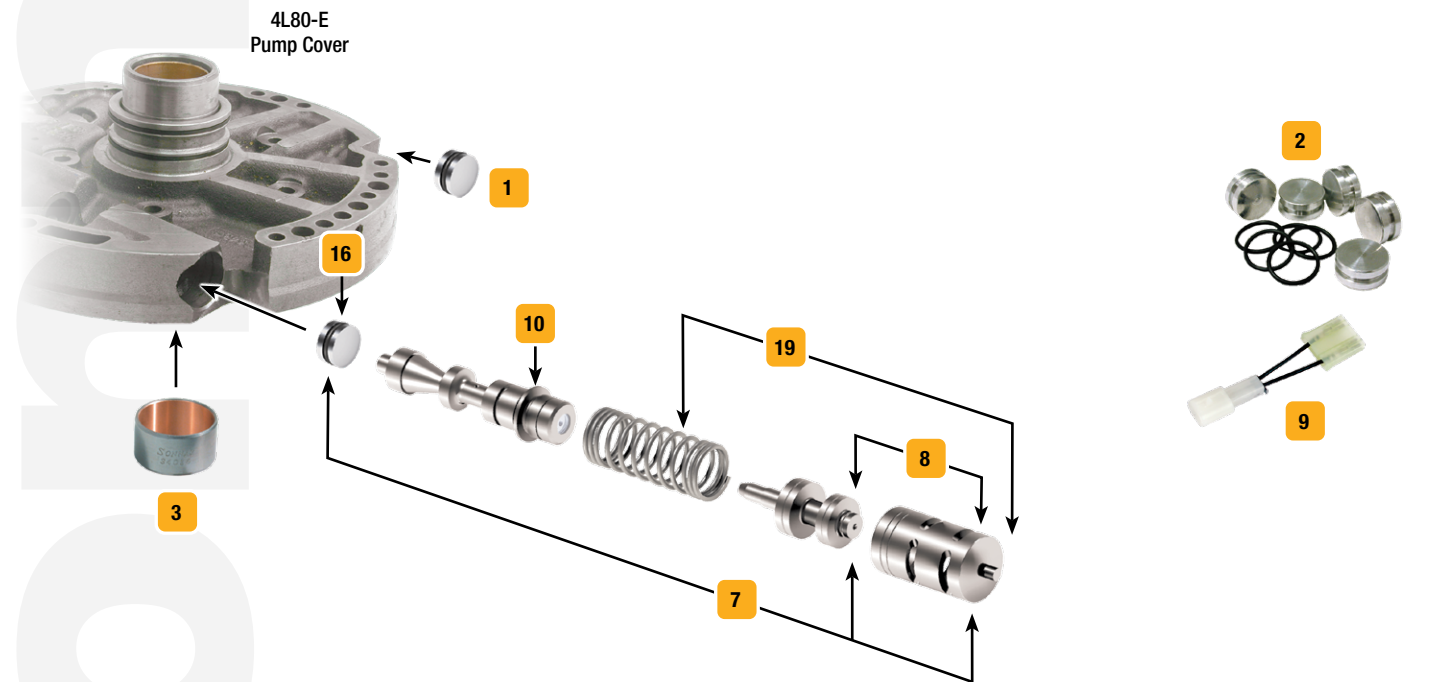
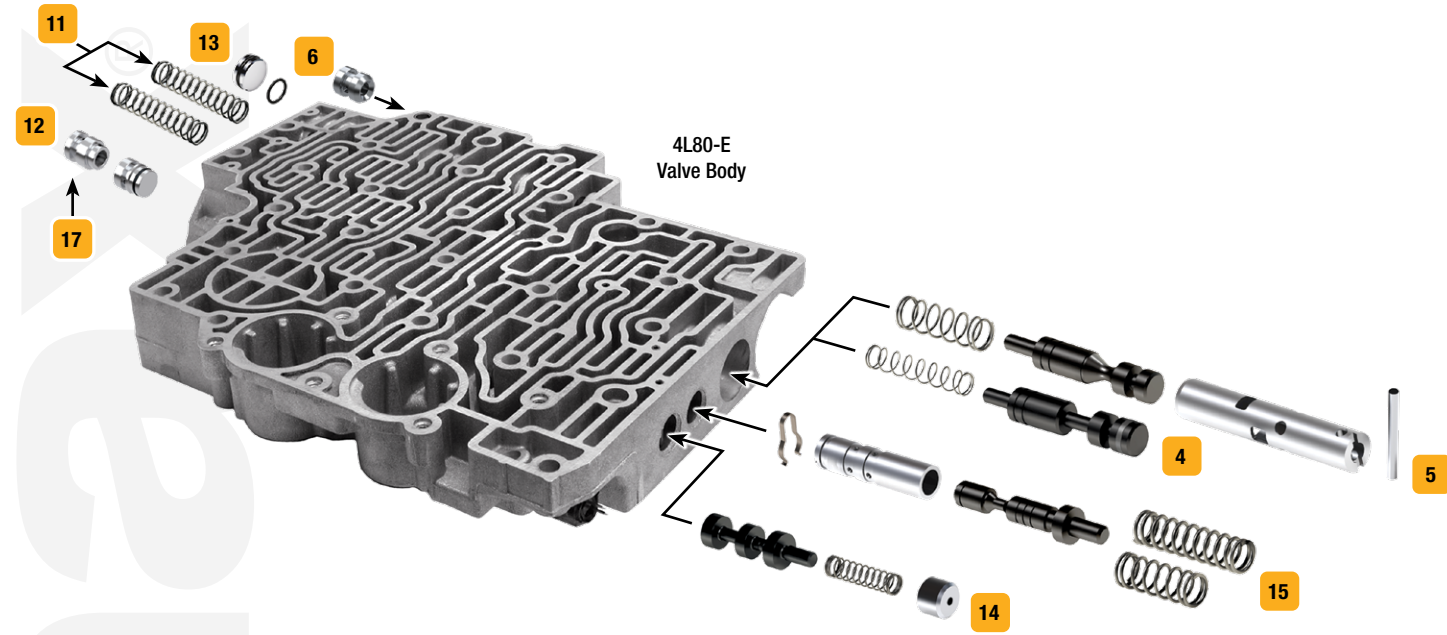


GM 4L80-E, 4L85-E



Click on part numbers for product details or visit www.sonnax.com to see all products for the unit(s) shown here.



See kit components at www.sonnax.com.

Symptoms/Benefits	Product Name	Part No.	Details	Tooling
Multiple Symptoms				
Comprehensive kit for big problems you don't want back	The Sure Cure® Kit	SC-4L80E		77754-TL
TCC/Lockup Symptoms				
No converter apply, Burnt converter	O-Ringed End Plug Kit	1 34994-13	ZIP Fits TCC valve bore with .497" dia., includes 5 end plugs	
No converter apply	O-Ringed End Plug Kit	2 34994-14K	ZIP Fits TCC valve bore with .668" dia., includes 5 end plugs	
TCC slip codes, No lockup, Overheated fluid, No Overdrive	Stator Support Bushing	3 34016-W	Wider than OE, precision, 4/bag	
TCC codes, TCC apply & release concerns, Converter shudder, Burnt converter	TCC Regulator Valve Kit	4 34994-01K	ZIP	
	Oversized TCC Regulator Valve Kit	5 34994-18K		F-34994-TL18*
Pressure Problems				
Burnt Reverse band, Delayed Reverse, No Reverse, No engine braking in manual low	#7 Low/Reverse Checkball Seat	6 34200-52	ZIP '95-Later, 5/bag	
Uncontrollable line rise, High line pressure, Broken parts, Broken clutch piston	Boost Valve Kit	7 34200-01K	ZIP O-Ring style	
	Boost Valve Kit	7 34200-03K	ZIP Factory style	
	Boost Valve Kit	8 34200-10K	ZIP With encapsulated relief valve	
Line pressure instability	EPC Solenoid Harness Adapter	9 34435-01K	For use with early-style ('92-'02) EPC solenoid in late-style ('03-later) units	
Engine surge at idle, Low cooler flow, Low TCC release pressure	Lube Regulated Pressure Regulator Valve	10 34200-14K	ZIP	
Shift/Engagement Concerns				
Repeated Solenoid B code 86, Repeated Solenoid B code 87, 2nd Gear starts, No 4th, No 3rd	1-2 & 2-3 Shift Valve Spring Kit	11 34994-02K		
3rd Slip, 4th Slip, Gear ratio codes, Direct clutch burned, Reverse slip	3rd & Reverse Checkball Sleeve Kit	12 34200-47K	ZIP '95-Later	
Broken AFL filters, 2nd Gear starts, Leaking AFL end plug, Code 68, 85, 86, 87, No upshifts	AFL Filter End Plug & O-Ring Kit	13 34994-17K	ZIP	
Soft shift & low accumulator pressure, High line pressure in Drive	Oversized Accumulator Control Valve Kit	14 34994-22K	Upgrades '91-'96 units to '97 calibration	F-34994-TL22*
Wrong gear starts, Clutch failure, Solenoid performance codes, No 4th, Band failure	Actuator Feed Limit Valve Kit	15 34200-16K		77754-TL
Pressure loss, TCC apply concerns, Burnt clutches, Harsh shifts, Soft shifts	O-Ringed End Plug Kit	16 34200-05K	ZIP Fits TCC & PR bores, includes 5 end plugs	
Reverse slip, Gear ratio codes, 3rd Slip, 4th Slip, Direct clutch burned, No Reverse	Reverse Checkball Sleeve	17 34200-38	ZIP '95-Later, 4/bag	
Component Damage/Failure				
OD roller clutch failure, No Forward, Overrun clutch distress	Smart-Tech® Overrun Clutch Valve Kit	18 34200-40K	'97-Later	
High Performance/Heavy Duty Upgrades				
Classic, large-ratio boost valve for crisp, clean shifts without harshness	Line Pressure Booster Kit	19 4L80E-LB1	ZIP	
Heavy duty, high performance calibration kit	Performance Pack	HP-4L80E-01		
Tools				
	Vacuum Test Plate Kit	34994-VTP		VACTEST-01K

* VB-FIX Required