

Critical Wear Areas & Vacuum Test Locations



NOTE: OE valves are shown in rest position and should be tested in rest position unless otherwise indicated. Test locations are pointed to with an arrow. Springs are not shown for visual clarity. Low vacuum reading indicates wear and Sonnax parts are noted for replacement.

JF011E Main Valve Body Shown



For specific vacuum test information, refer to individual part instructions included in kits and available at www.sonnax.com.

Click on Sonnax part numbers to see more information.

Primary Pressure Regulator Valve

- Chatter on acceleration
- Damaged valve body casting
- Slips in Forward & Reverse
- Pulley breakage
- High line pressure
- Low line pressure

Replace with Sonnax Part No. **113741-09K**

Requires F-113741-TL9 & VB-FIX

Secondary Pressure Regulator Valve

- Push belt slippage & pulley fracture
- Chatter on acceleration
- RPM surge on acceleration

Replace with Sonnax Part No. **113741-21K**

Requires F-113741-TL21 & VB-FIX

Torque Converter Pressure Regulator Valve

- Converter shudder & TCC slip
- TCC apply & release concerns
- TCC codes
- Overheating

Replace with Sonnax Part No. **113741-13K**

Requires F-113741-TL13 & VB-FIX

Torque Converter Lube Regulator Valve

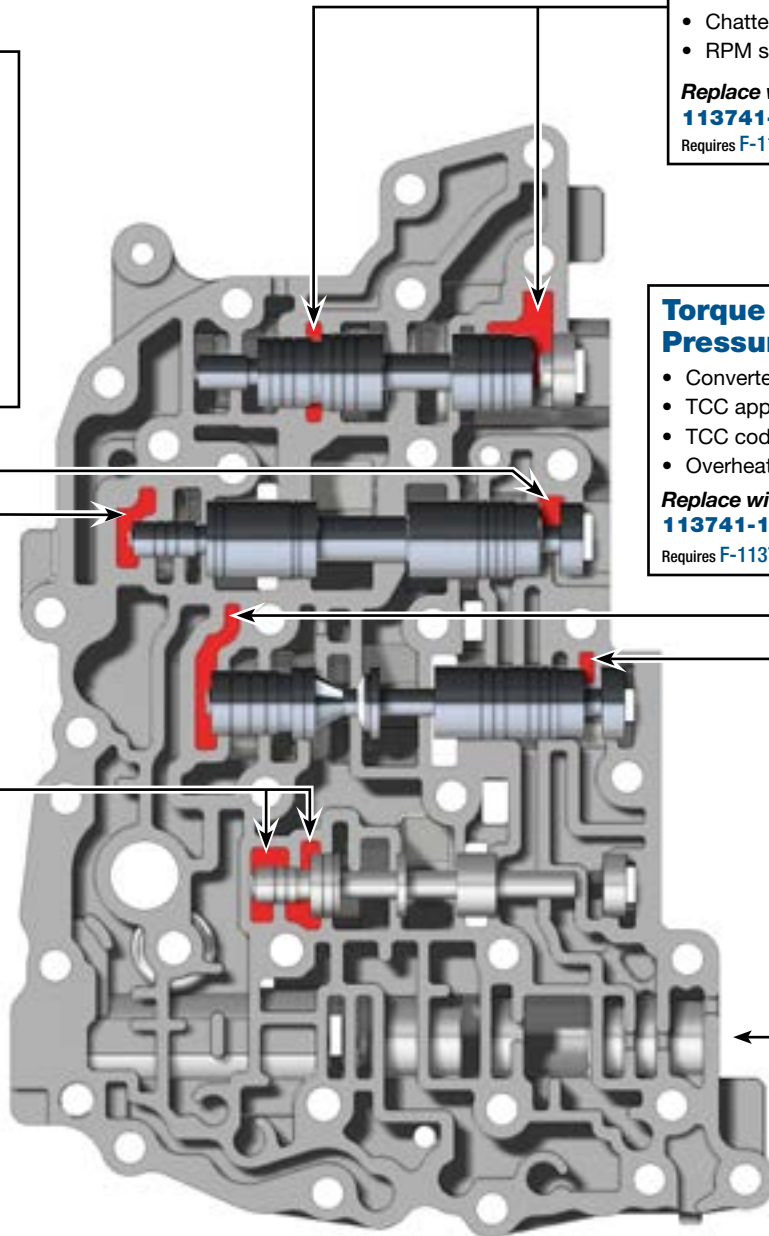
- Engine stall on engagement
- No lockup
- Increased RPM during acceleration
- Ratio Codes
- Poor Performance

Replace with Sonnax Part No. **113741-04K**

Requires F-113741-TL4 & VB-FIX

Manual Valve

- Delayed engagement
- Low pressure



Critical Wear Areas & Vacuum Test Locations



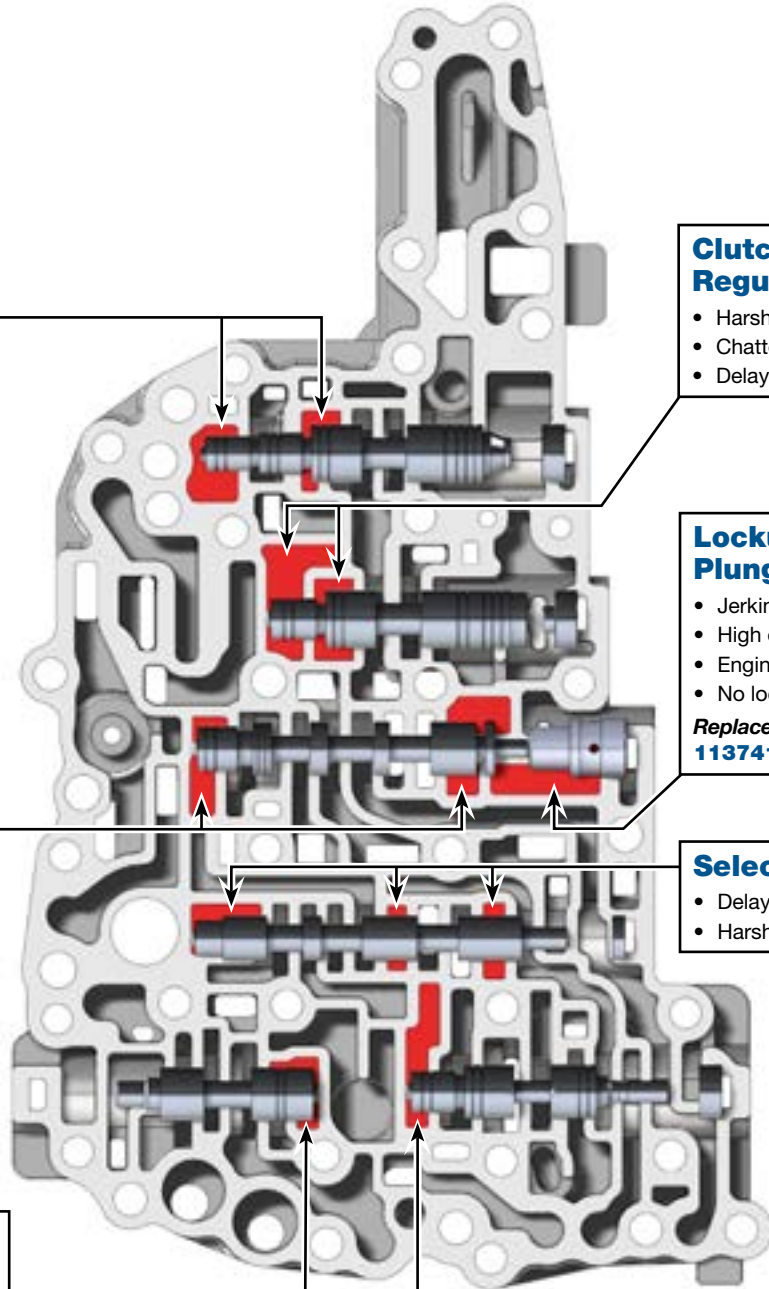
NOTE: OE valves are shown in rest position and should be tested in rest position unless otherwise indicated. Test locations are pointed to with an arrow. Springs are not shown for visual clarity. Low vacuum reading indicates wear and Sonnax parts are noted for replacement.

JF011E Middle Valve Body Front Side Shown



For specific vacuum test information, refer to individual part instructions included in kits and available at www.sonnax.com.

Click on Sonnax part numbers to see more information.



Secondary Pulley Control Valve

- RPM surge or chatter on acceleration
- Push belt slippage & pulley fracture

Replace with Sonnax Part No. **113741-19K**
Requires F-113741-TL17 & VB-FIX

Clutch Reducing Regulator Valve

- Harsh engagements
- Chatter on acceleration
- Delayed engagement

Lockup Control Plunger Valve

- Jerking on coastdown
- High engine RPM
- Engine stall on engagement
- No lockup

Replace with Sonnax Part No. **113741-11K**

Lockup Control Valve

- Jerking on coastdown
- Harsh engagement
- High engine RPM
- No lockup

Replace with Sonnax Part No. **113741-22K**
Requires F-113741-TL22 & VB-FIX

Select Switch Valve

- Delayed engagement
- Harsh engagement

Solenoid Regulator Valve

- Chatter on acceleration
- No ratio change
- Noise on acceleration
- Low solenoid feed pressure

Replace with Sonnax Part No. **113741-01K**

Select Control Valve

- Delayed engagement
- Harsh engagement

Critical Wear Areas & Vacuum Test Locations



Drop-In Zip Valve™
Parts Available

NOTE: OE valves are shown in rest position and should be tested in rest position unless otherwise indicated. Test locations are pointed to with an arrow. Springs are not shown for visual clarity. Low vacuum reading indicates wear and Sonnax parts are noted for replacement.

JF011E Middle Valve Body Back Side Shown



For specific vacuum test information, refer to individual part instructions included in kits and available at www.sonnax.com.

Click on Sonnax part numbers to see more information.

Secondary Pulley Control Valve

- RPM surge or chatter on acceleration
- Push belt slippage & pulley fracture

Replace with **Sonnax Part No. 113741-19K**

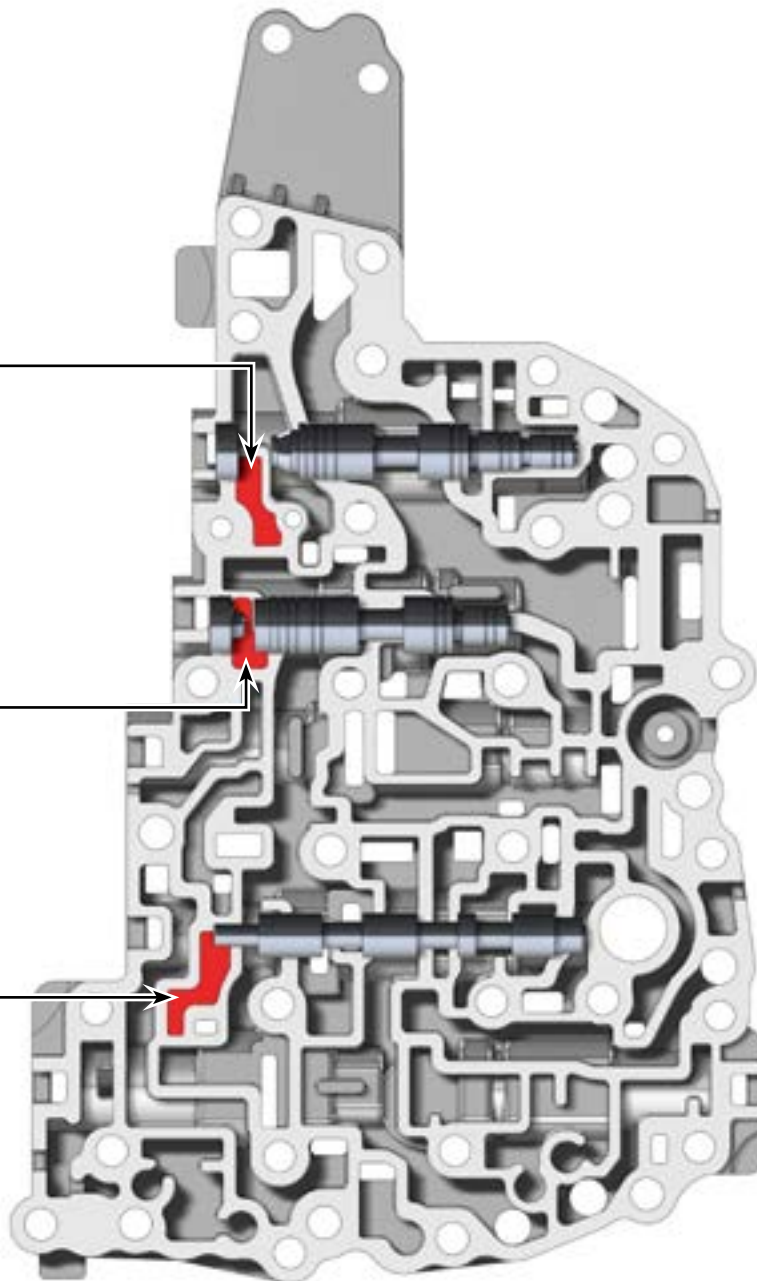
Requires F-113741-TL17 & VB-FIX

Clutch Reducing Regulator Valve

- Harsh engagements
- Chatter on acceleration
- Delayed engagement

Select Switch Valve

- Delayed engagement
- Harsh engagement



Critical Wear Areas & Vacuum Test Locations

ZIP Drop-In Zip Valve™
Parts Available

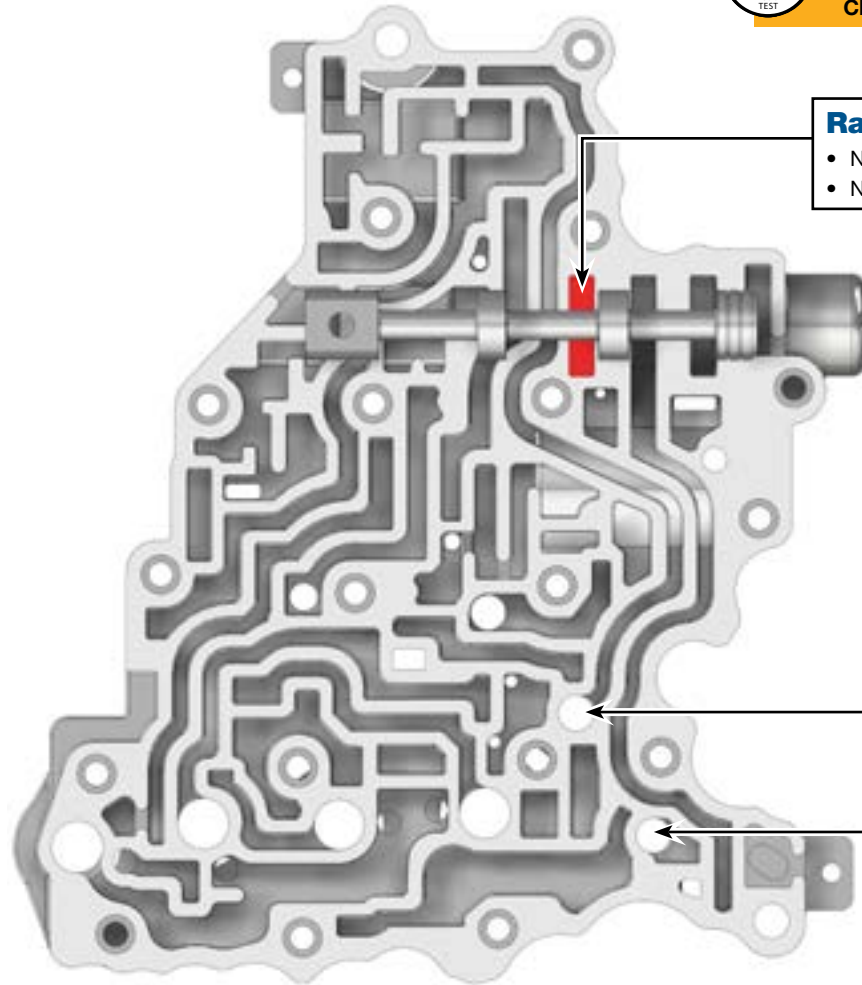
NOTE: OE valves are shown in rest position and should be tested in rest position unless otherwise indicated. Test locations are pointed to with an arrow. Springs are not shown for visual clarity. Low vacuum reading indicates wear and Sonnax parts are noted for replacement.

JF011E Upper Valve Body Shown



For specific vacuum test information, refer to individual part instructions included in kits and available at www.sonnax.com.

Click on Sonnax part numbers to see more information.



Ratio Control Valve

- No ratio change
- No high ratio

Primary & Secondary Pressure Sensor

- Shift concerns
- 33417N**

JF011E Pump Body Shown

Pump Flow Control Valve

- Push belt slippage
- Delayed engagement
- Low pump volume

Replace with Sonnax Part Nos.

33510N-02 or

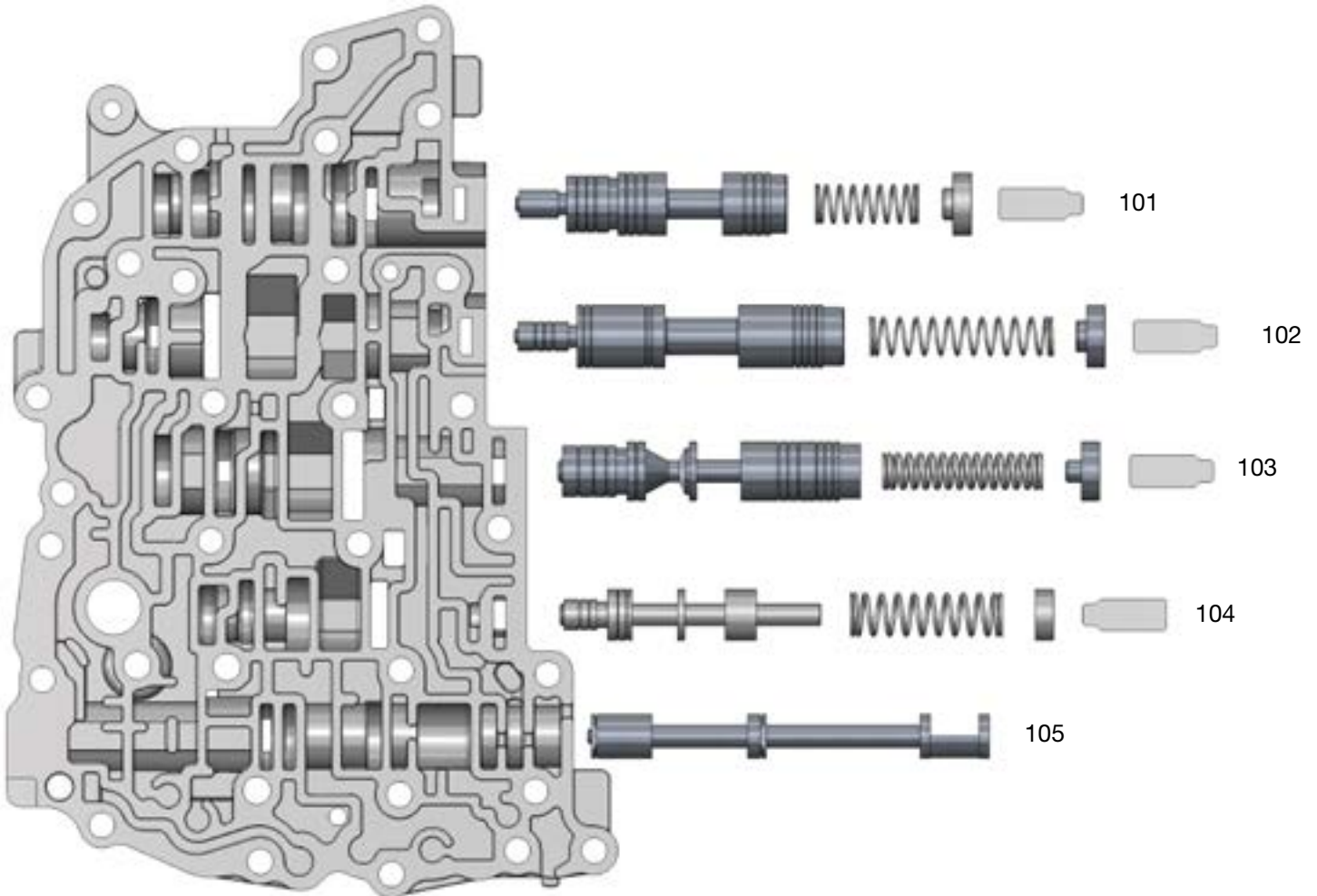
33510N-01 Requires F-33510N-TL & VB-FIX

Block this port while testing.



OE Exploded View

JF011E Main Valve Body

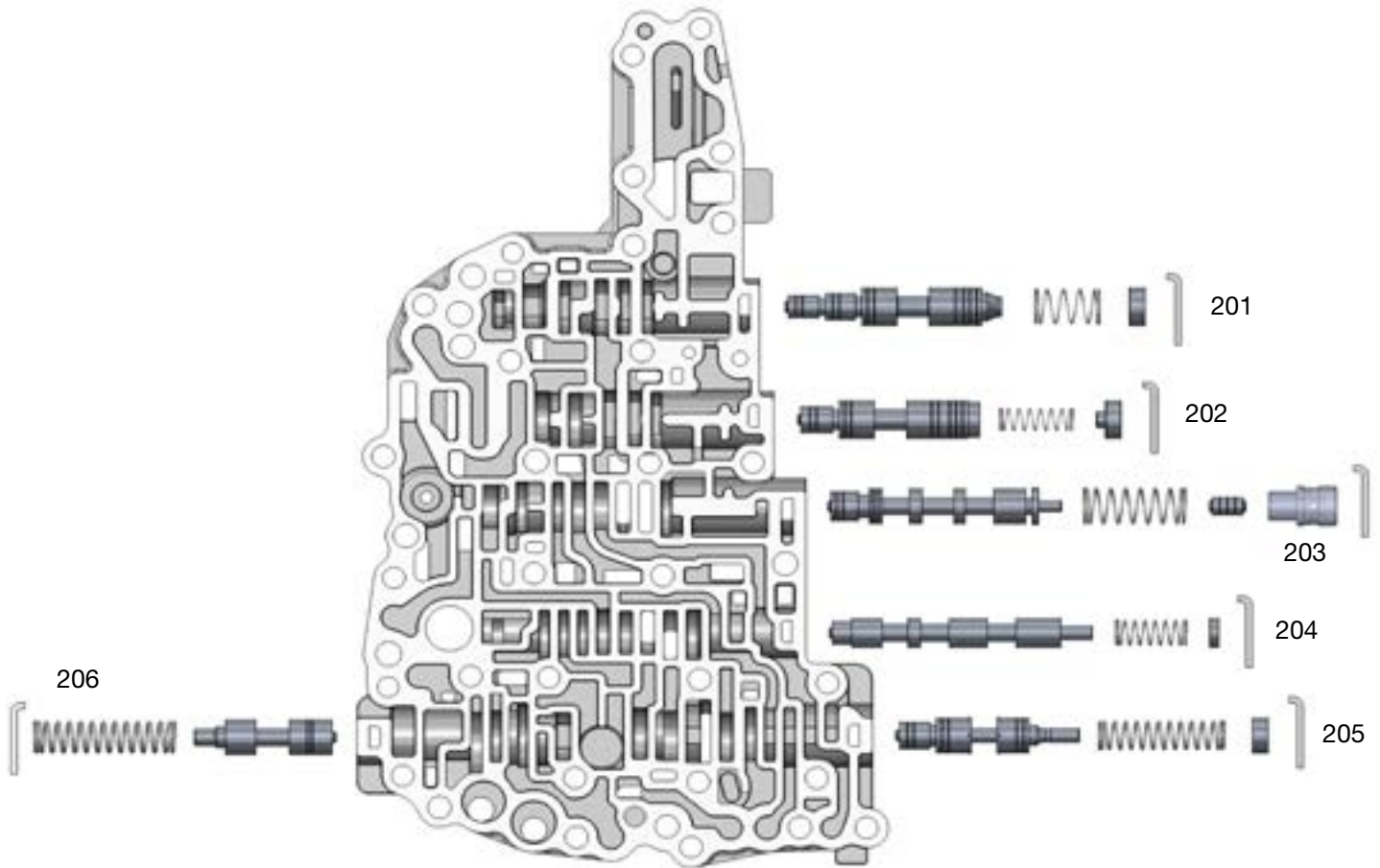


JF011E Main Valve Body Descriptions

I.D. No.	Description
101	Secondary Pressure Regulator Valve
102	Primary Pressure Regulator Valve
103	Torque Converter Pressure Regulator Valve
104	Torque Converter Lube Regulator Valve
105	Manual Valve

OE Exploded View

JF011E Middle Valve Body

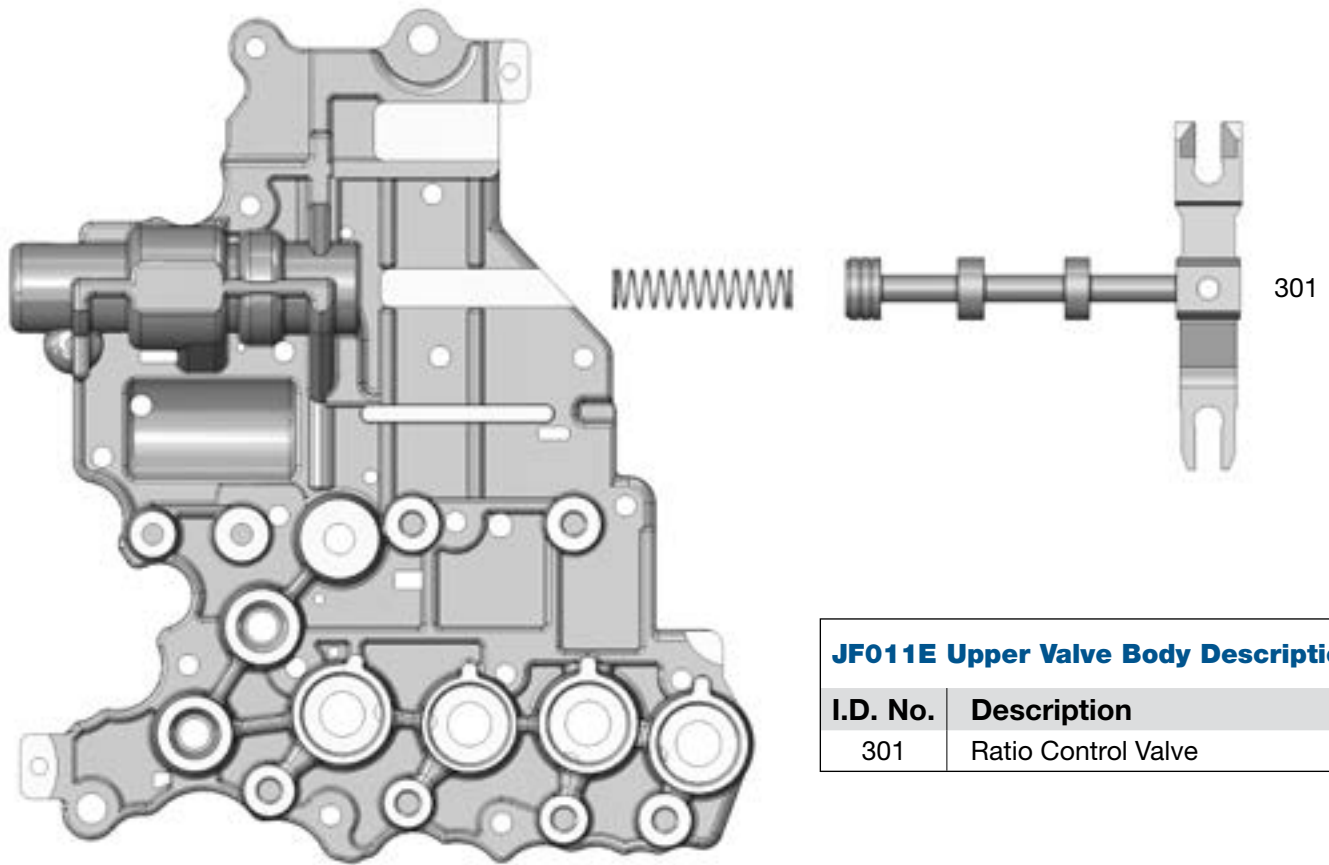


JF011E Middle Valve Body Descriptions

I.D. No.	Description
201	Secondary Pulley Control Valve
202	Clutch Reducing Regulator Valve
203	Lockup Control Valve
204	Select Switch Valve
205	Select Control Valve
206	Solenoid Regulator Valve

OE Exploded View

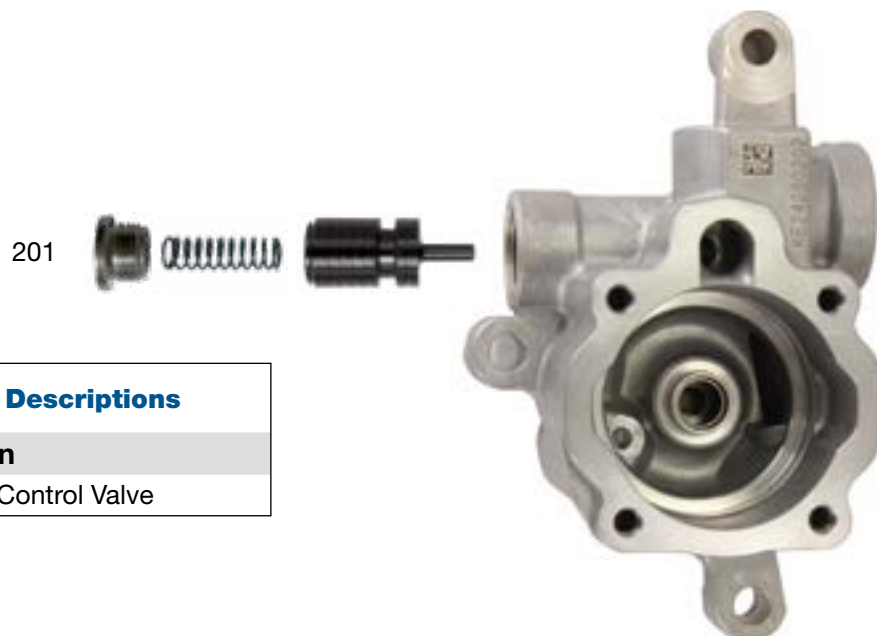
JF011E Upper Valve Body



JF011E Upper Valve Body Descriptions

I.D. No.	Description
301	Ratio Control Valve

JF011E Pump Body



JF011E Pump Body Descriptions

I.D. No.	Description
201	Pump Flow Control Valve