

Jatco/Nissan

CVT JF010E (RE0F09A/RE0F09B)

sonnax®

2 Imtec Lane • Bellows Falls, VT 05101-0440 USA
(800) 843-2600 • (802) 463-9722 • F: (802) 463-4059 • www.sonnax.com

1 113741-09K
Oversized Primary Pressure Regulator Valve Kit



Helps cure:

- Chatter on acceleration
- High/Low line pressure
- Pulley breakage

Note: Requires tool kit F-113741-TL9 & the VB-FIX reaming fixture.

2 113741-01K
Solenoid Regulator Valve Kit

Helps cure:

- Chatter/Noise on acceleration
- Loss of ratio change
- Increased chain & pulley wear

3 113741-04K
Oversized TCC Limit & Lube Valve Kit



Helps cure:

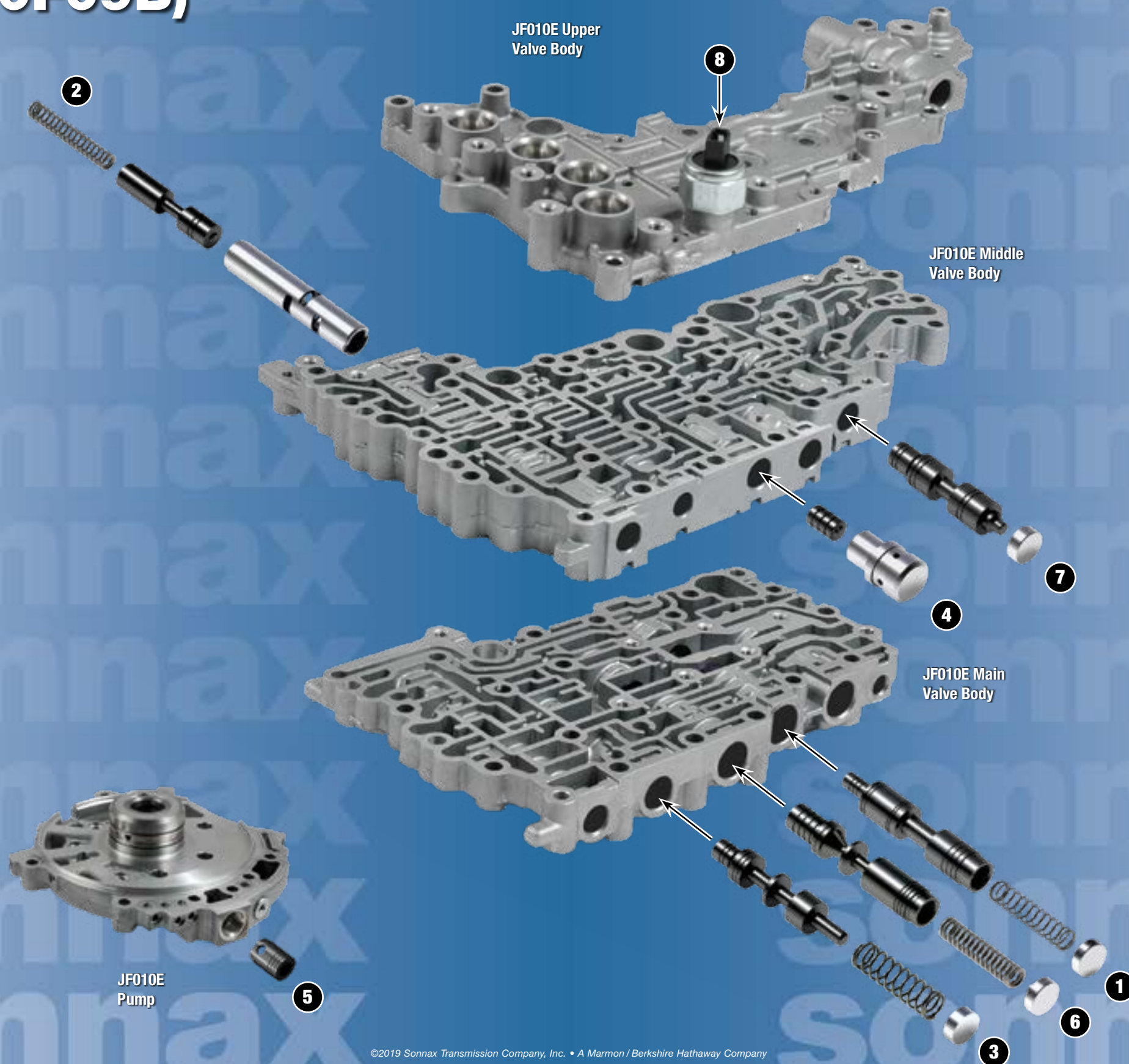
- Engine stalls on engagement
- Loss of lockup
- Increased RPM during acceleration

Note: Requires tool kit F-113741-TL4 & the VB-FIX reaming fixture.

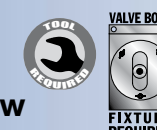
4 113741-11K
Lockup Control Plunger Valve Kit

Helps cure:

- Jerking on coastdown
- Harsh engagement
- High engine RPM due to no lockup



5 113741-07
Oversized Pump Flow Control Valve

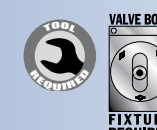


Helps cure:

- Chain slippage
- Delayed engagements into Forward & Reverse

Note: Requires tool kit F-113741-TL7C & the VB-FIX reaming fixture.

6 113741-15K
Oversized Torque Converter Regulator Valve Kit



Helps cure:

- TCC slip codes
- Overheat
- Lubrication failure

Note: Requires tool kit F-113741-TL13 & the VB-FIX reaming fixture.

7 113741-17K
Oversized Secondary Pulley Control Valve Kit



Helps cure:

- Chain slippage & pulley fracture
- Chatter on acceleration
- RPM surge on acceleration

Note: Requires tool kit F-113741-TL17 & the VB-FIX reaming fixture.

8 33417N
Primary & Secondary Pressure Sensor

Fits valve body & case locations

Helps cure:

- Shift concerns